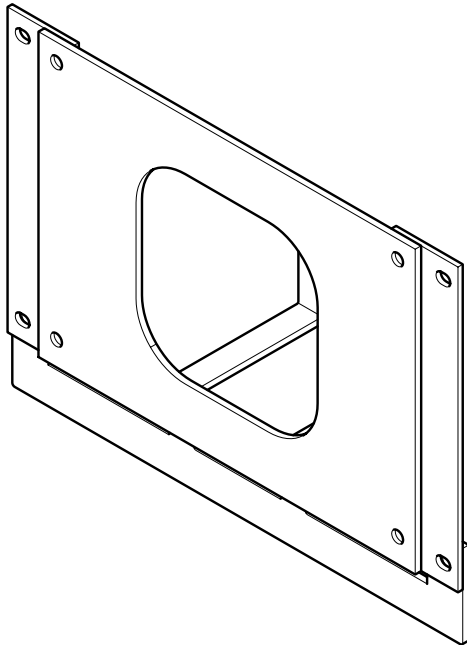


Installation Guide

SPK608

Kiosk bracket and coverplate for Magellan 1500i Scanner





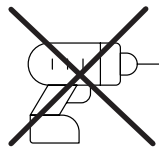
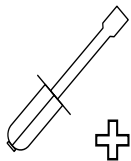
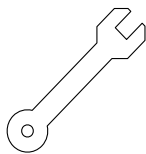
CAUTION

This product is intended for indoor use only.

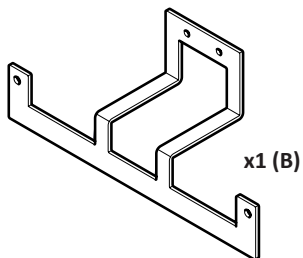
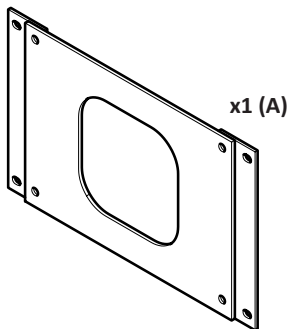
If these installation instructions are not followed correctly, it could lead to product failure and potential personal injury.

Ergonomic Solutions/SpacePole cannot be held responsible for any failure or injury, if the installation instructions are not followed correctly.

Tool list

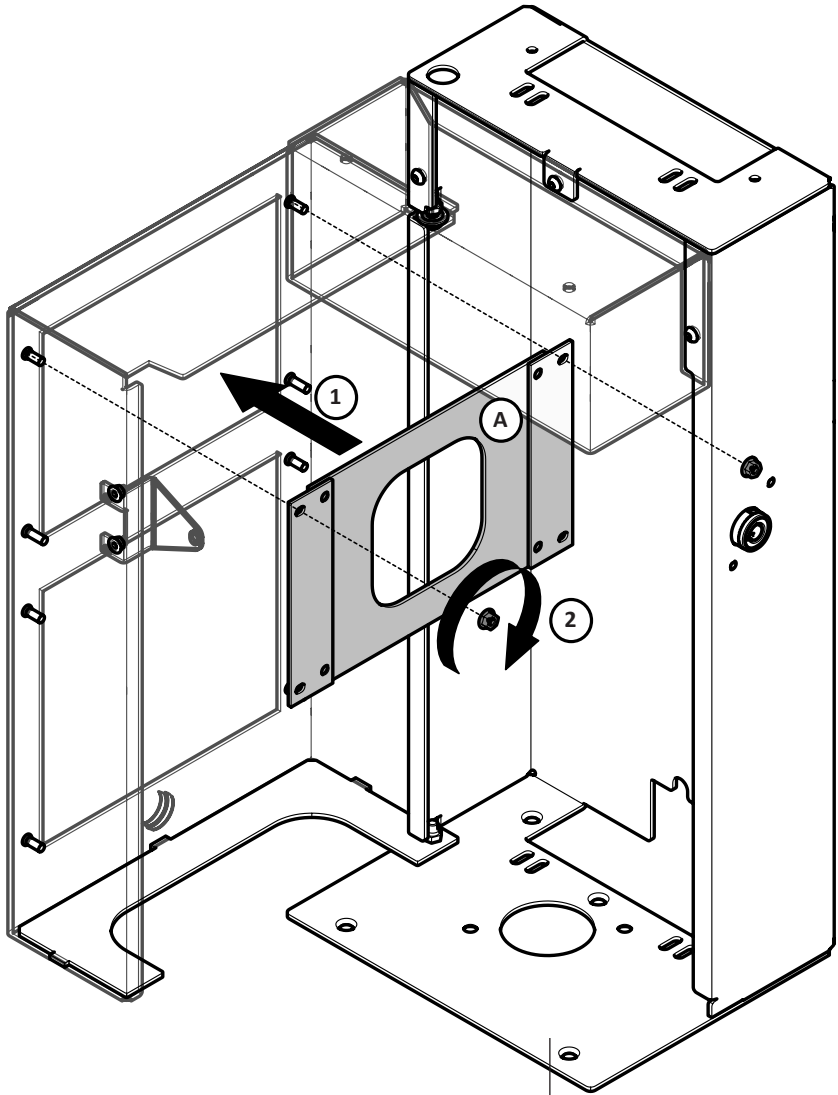


Box content



x2 M4x8

1 Mount scanner cover (A) on to the Center module

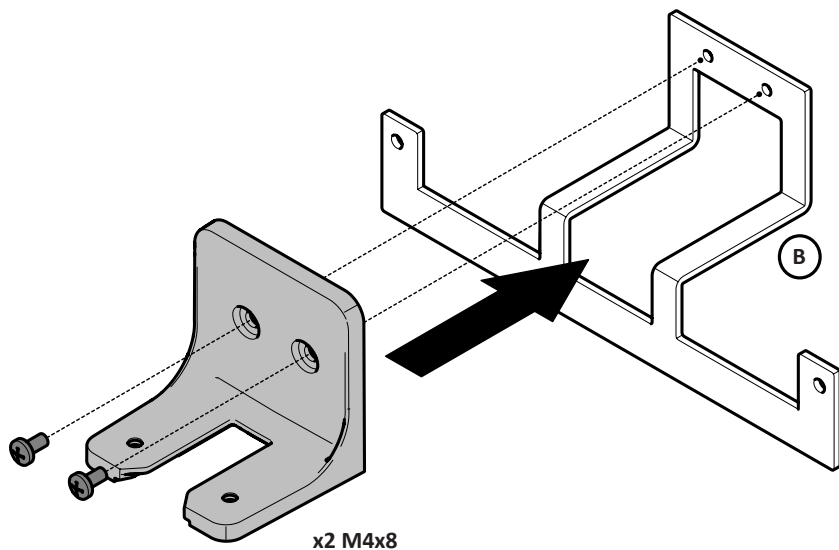


SPK2XX
(supplied separately)

Bolts supplied with SPK2XX.

2

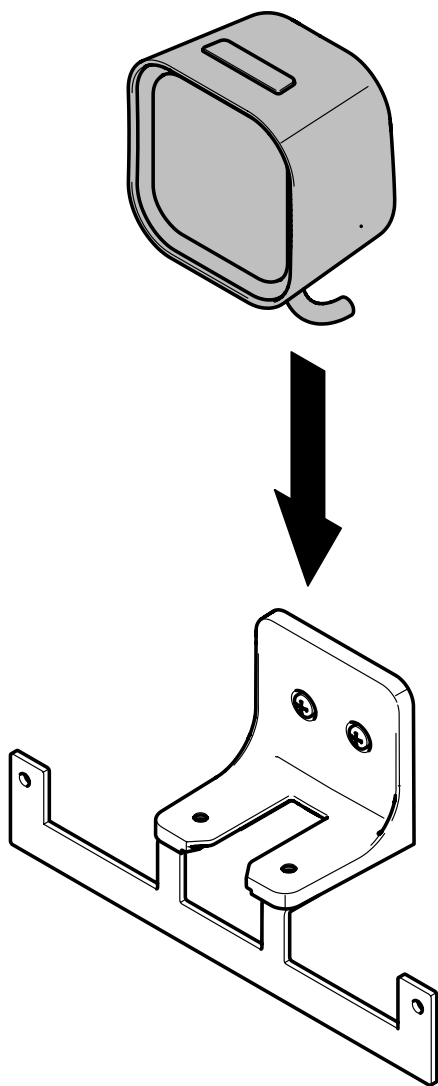
Mount scanner wall mount on the Scanner bracket (B)



Scanner wall mount supplied with scanner hardware.

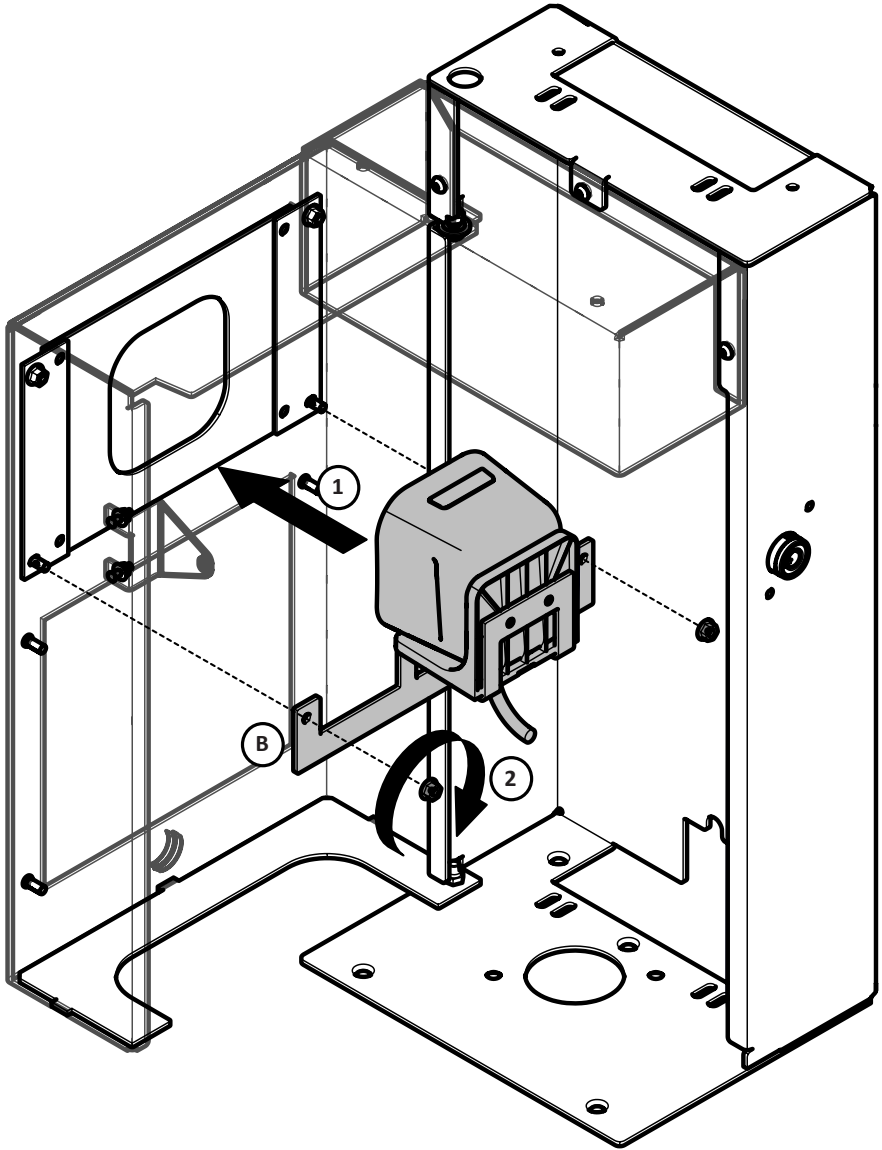
3

Mount scanner on Scanner wall mount



4

Mount scanner bracket (B) on to the Center Module



Need help? Contact us



ergonomic.solutions/about/contact-us

spacepole.com/about/contact-us